

Product Installation guide

IP20



For Indoor use only



DON'T TOUCH THE LED !



25°C

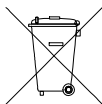
RECOMMENDED ROOM TEMPERATURE



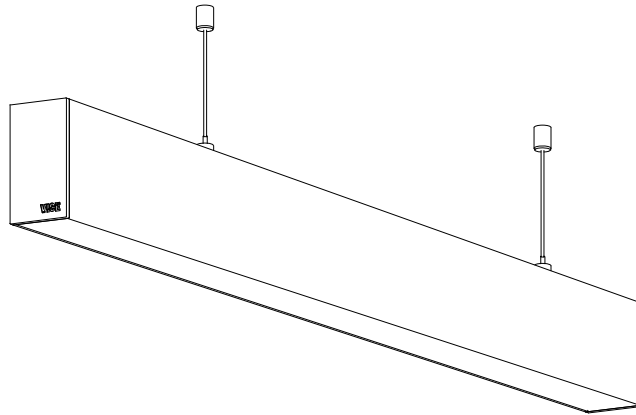
MAKE SURE THE POWER IS OFF DURING INSTALLATION



220-240V~
50/60 Hz



RISK OF FIRE AND ELECTRICAL SHOCK



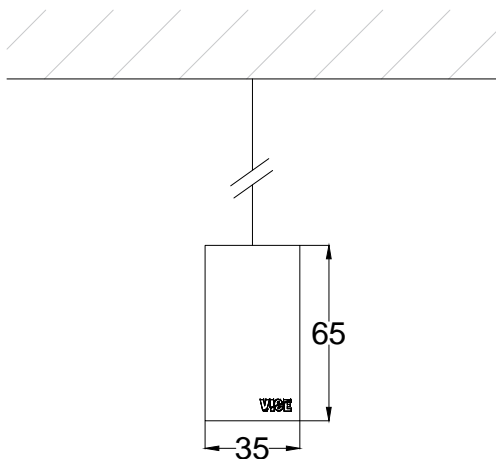
INSTALLATION INSTRUCTIONS

DISCLAIMER

Please read all instructions before beginning installation:

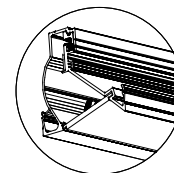
1. Turn off electrical power before starting the installation of the light fixture.
2. The feeding voltage must not exceed the specified fixture voltage.
3. This product must be installed by an eligible electrician.
4. Make sure the luminaire is mounted to a secure structure. Mounting the fixture in inappropriate way could lead to serious injury.
5. This luminaire is class 1, it must be earthed in a reliable way.
6. The light source of this luminaire shall only be replaced by the manufacturer, his service agent or a similar qualified person.
7. Wear gloves and safety glasses at all times when removing the luminaire from carton, installing, servicing or performing maintenance
8. Do not install damaged product! This luminaire is properly packed to avoid being damaged during transit. Inspect to confirm before installation. Any damaged or broken part during or after assembly should be replaced.
9. Unauthorized repairs or modifications will void warranty.

Section View:

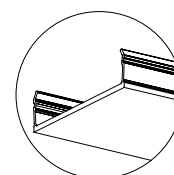


Dimensions in mm

Applicable optics:



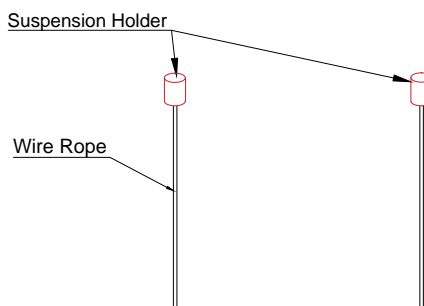
1. CutOff Washer



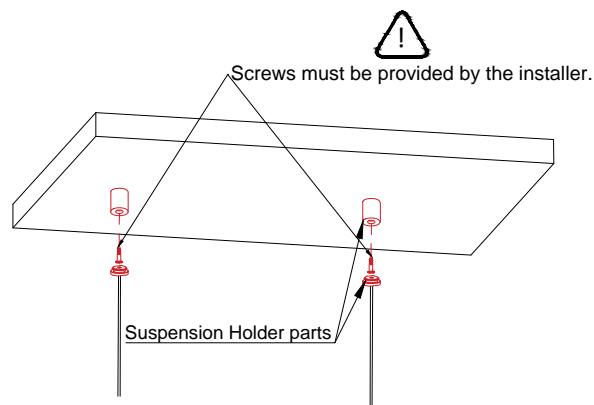
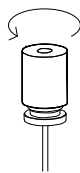
2. Opal & Prismatic

Product Installation guide

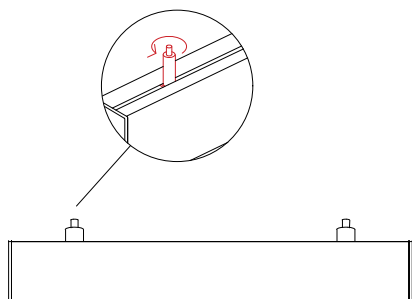
For Individual Fixture



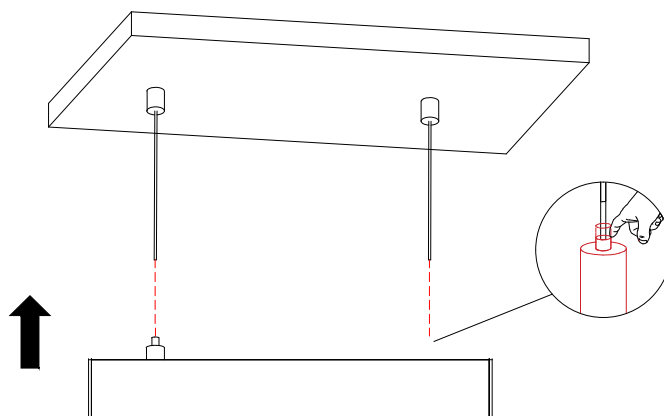
1 Dismantle the suspension holder from the wire rope.



- 2 Screw the suspension holder to the ceiling .
- 3 Tighten both parts of the holder together .

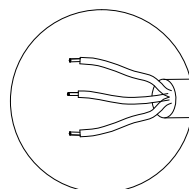
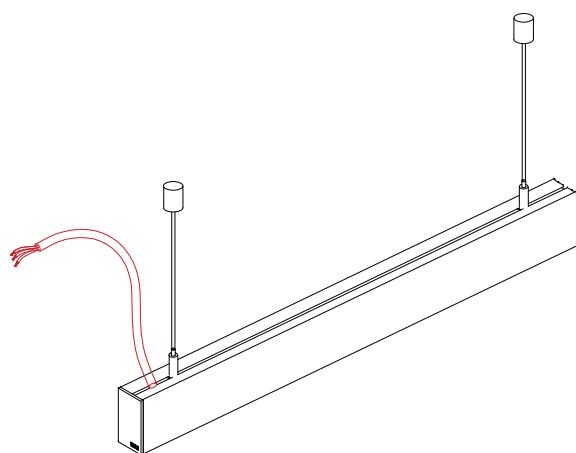


4 In case of need to change the gripper location untightens and slide it.



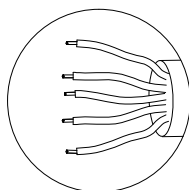
5 Lift the profile than insert the wire rope in the gripper.

7 Connect the Cable following the below colors for power input:



Power Input 3 Poles Suggestion :
H05VV-F 3G0.75

Brown : Line
Blue: Neutral
Green/Yellow: Earth



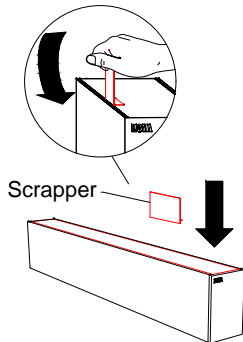
Power Input 3 Poles Suggestion :
H05VV-F 5G0.75

Brown : Line
Blue: Neutral
Green/Yellow: Earth
Grey : DALI/DIM +
Black : DALI/DIM -

Product Installation guide

For continuous Run

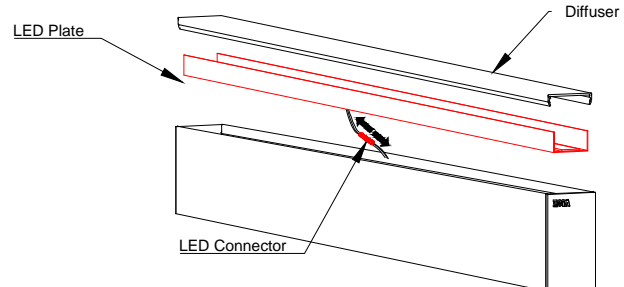
Dismantling the fixture



1 Use the scrapper to remove the diffuser.



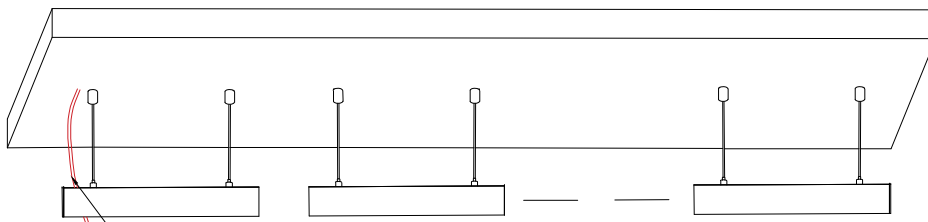
Handle and store the Components in a safe place.



2 Pull the LED Plate and detach the LED connector.

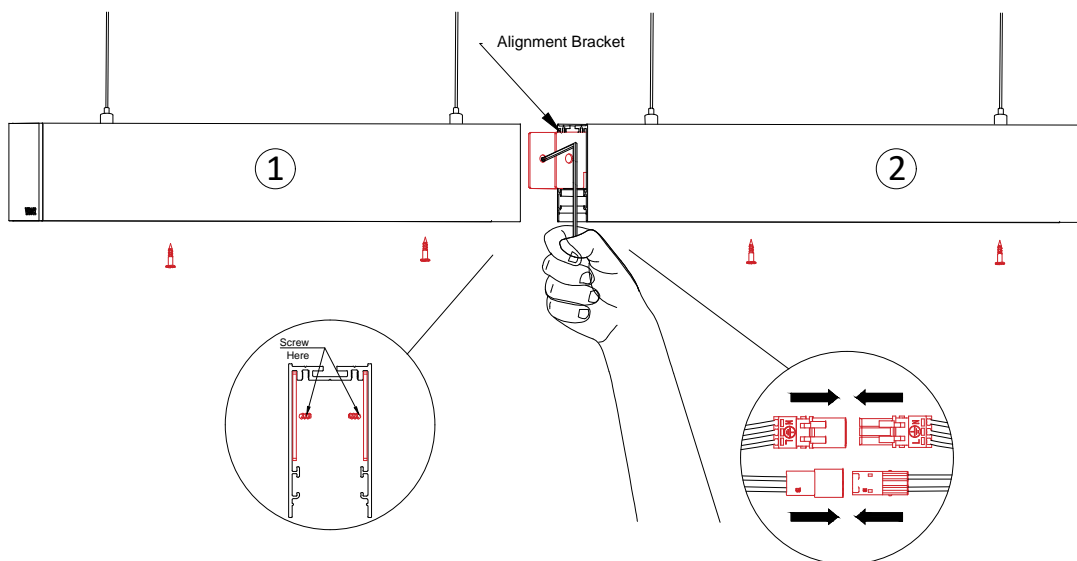
3 Fix the Fixture to the ceiling as shown in page 2.

4 Connect the cable to the Terminal Block.



Cable should be provided by the installer.

Terminal Block Connection	
Non Dimmable	
	L - Line ⊕ - Earth N - Neutral
DALI Dimmable	
3 - Line N - Neutral	
⊕ - Earth 1 - DALI 2 - DALI	
1-10V Dimmable	
L - Line ⊕ - Earth N - Neutral	
	DIM + DIM -



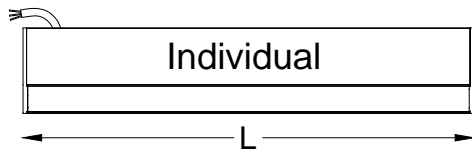
4

- Fix the first fixture in its position.
- Install and fix the second fixture next to the first one.
- Slide the alignment bracket between the two fixtures and screws it.

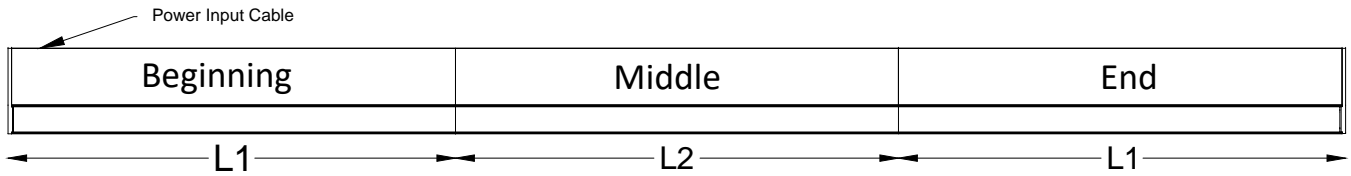
5

- Join the electrical /control connectors together.

Annexe A



*Code Example:
 L3 I PD ----- I 120 **I** (Individual)
 L3 I PD ----- I 120 **B** (Beginning)
 L3 I PD ----- I 120 **M** (Middle)
 L3 I PD ----- I 120 **E** (End)



Length Code*	L (mm) (Two End Caps)	L1 (mm) (One End Cap)	L2 (mm) (No End Cap)
60	597	594	591
70	695	692	689
80	793	790	787
90	891	888	885
100	989	986	983
110	1087	1084	1081
120	1185	1182	1179
130	1283	1280	1277
140	1381	1378	1375
150	1479	1476	1473
160	1577	1574	1571
170	1675	1672	1669
180	1773	1770	1767
190	1871	1868	1865
200	1969	1966	1963
210	2067	2064	2061
220	2165	2162	2159
230	2263	2260	2257
240	2361	2358	2355
250	2459	2456	2453
260	2557	2554	2551
270	2655	2652	2649
280	2753	2750	2747
290	2851	2848	2845
300	2949	2946	2943

LED Load (W/m)	Maximum running length (meter)
10	140
15	95
22	60
30	45

Make sure not to exceed the maximum allowed running length at continuous run.

*Code Example: L3 I PD ----- I **120** -

Annexe B

Asymmetrical optics:

Below section views shows the light direction and the power feeding location for the asymmetrical optic.

